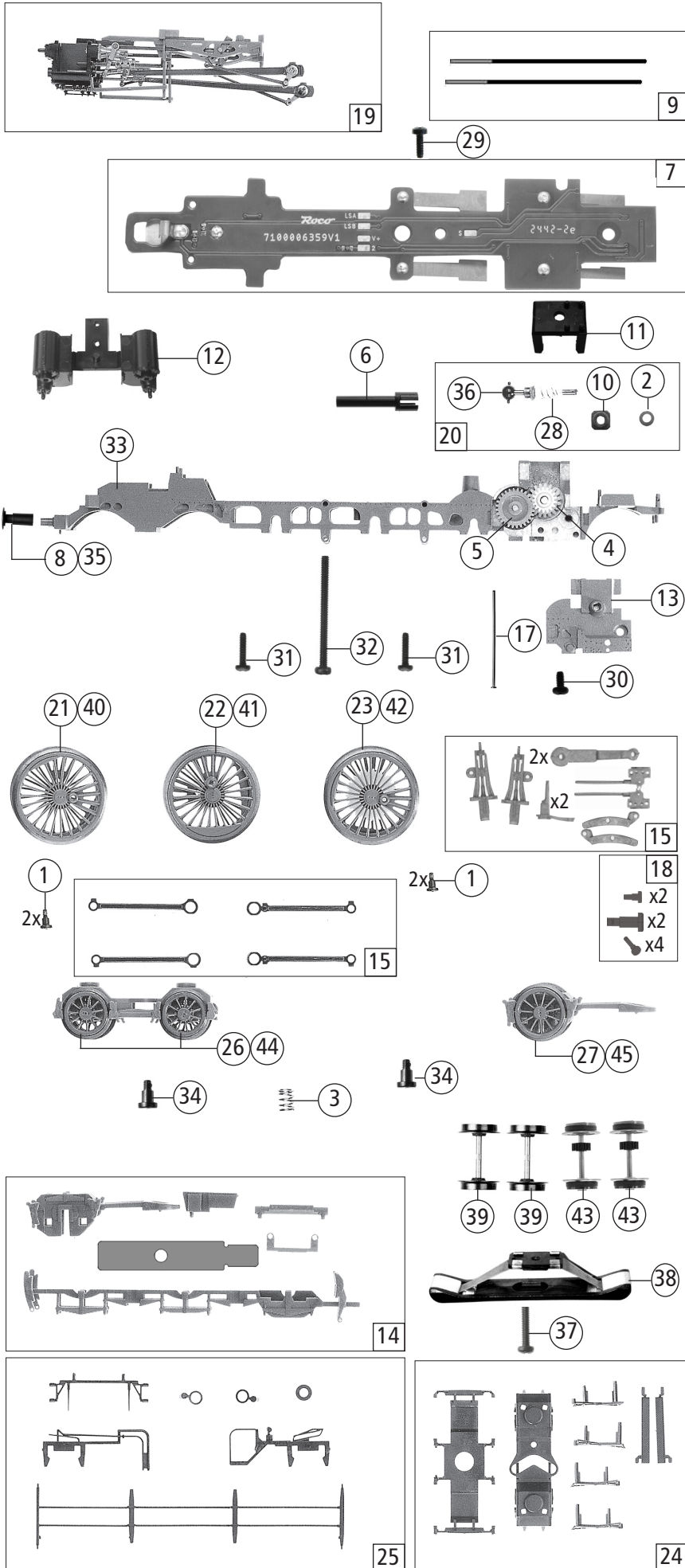
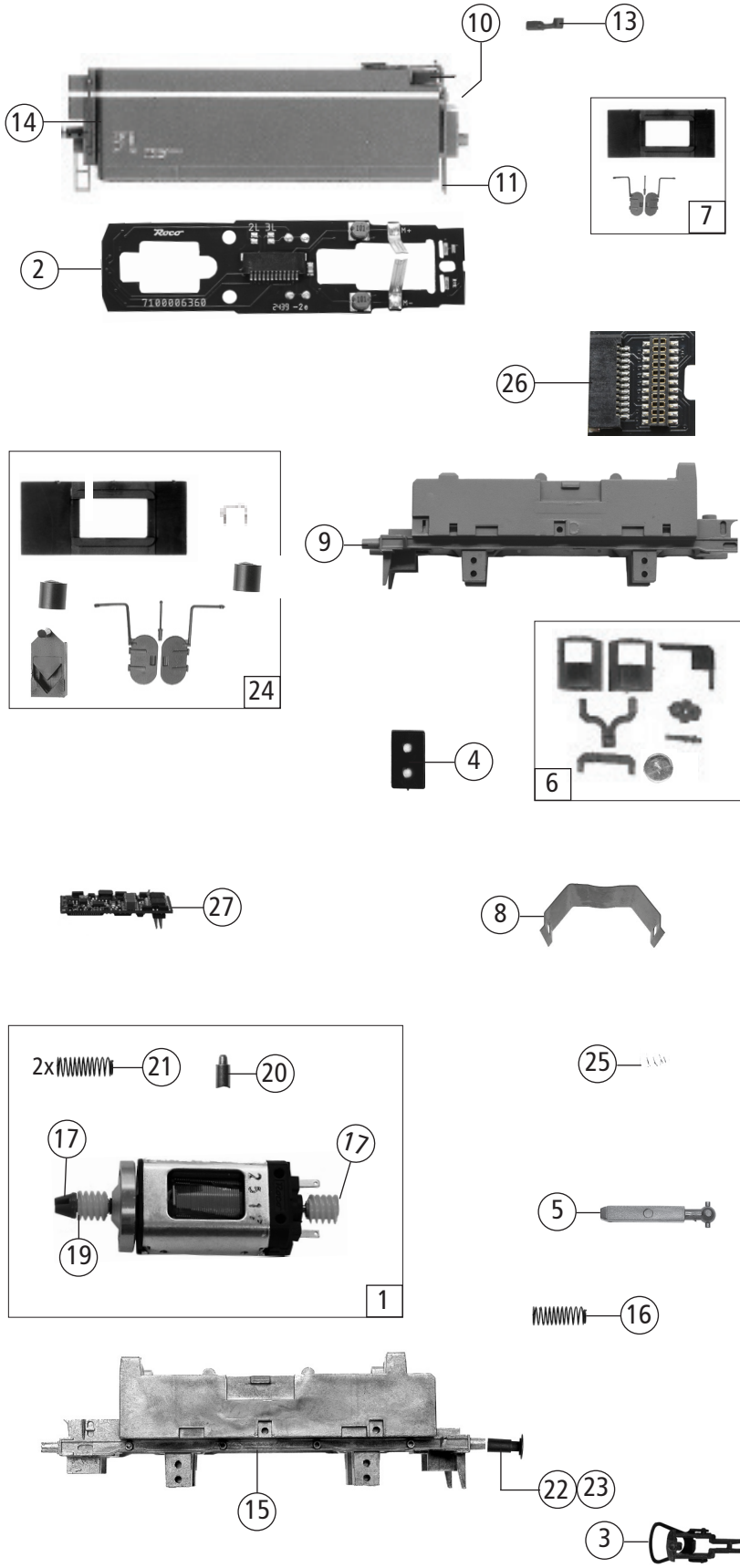
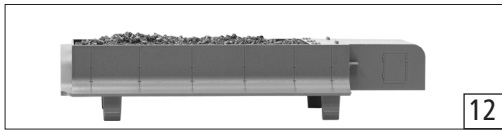


Pos. Nr. Pos.no.	Beschreibung Description	Art.-Nr. Art.no.	Preisgruppe Price bracket
710006	DR 18.201	=	
711006		=	🔊
712006		~	🔊
1	TS-Kessel Part set boiler	151813	12
2	TS-Kessel, Indusi re Part set boiler, Indusi r	151805	5
3	Lokpfeife Loco whistle	108274	6
4	TS-Kesselleitungen Part set boiler lines	151814	9
5	Federbügel Spring clip	108589	7
6	Bolzen Bolt	108590	4
7	GF-Schraube M2x8 mm Self-tapping screw M2x8 mm	114923	3
8	Kessel Boiler	151810	38
9	Führerhaus Driver cab	151811	18
10	Umlaufblech Running board	151818	22
11	TS-Kesselleitungen Part set boiler lines	151819	11
12	Windleitblech links+rechts Smoke deflector left&right	151822	7
13	TS-Leitungen, Leitern Part set lines, ladders	151816	7
14	TS-Leitungen und Stange Part set lines and rod	151820	8
15	TS-Sandrohre Set of sand pipes	151815	10
16	TS-Drahtstangen Part set thread rods	151817	16
17	Aschekasten Ash pan	151775	5
18	Dachfenstergitter Roof top window protection grid	151812	8
19	Kessel kurz Boiler short	151806	6
20	Lok tender -kupplung Loco tender coupling	151778	6
21	Stützblech Support plate	151776	6
22	Führerstandsbeleuchtung Cab lighting	151821	15
Sound			
23	Lautsprecherplatine Loudspeaker PCB	133613	11
24	Lautsprecher Loudspeaker	129524	14
25	GF-Schraube M1,6x4 mm Self-tapping screw M1,6x4 mm	114850	3
26	Sounddecoder MS480 Pl.16 Sound decoder	148519	39

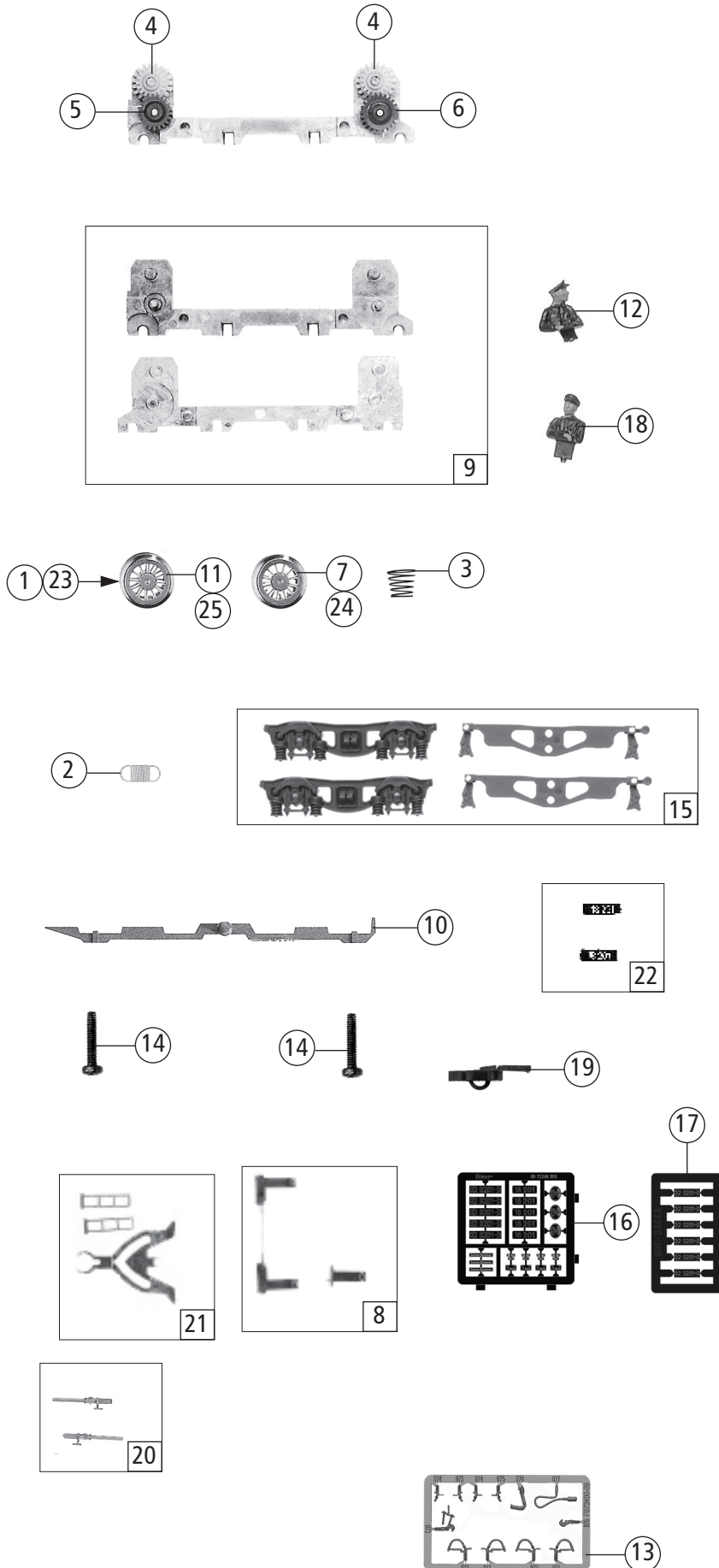
Änderungen in Konstruktion und Ausführung vorbehalten
We reserve the right to change the construction and specification



Pos. Nr. Pos.no.	Beschreibung Description	Art.-Nr. Art.no.	Preisgruppe Price bracket
1	Schraube M1,4x3,2/1,1 Screw M1.4x3.2/1.1	85764	3
2	Beilagscheibe Washer	86108	3
3	Druckfeder Pressure spring	86271	4
4	Schnecken Zahnrad Z=17/19 Worm gear wheel Z=17/19	86413	5
5	Zahnrad Z=28 Gear wheel Z=28	86517	3
6	Kardanhülse 24mm Cardan reception 24mm	87074	5
7	Lokplatine PCB for loco	151785	21
8	Puffer flach Buffer flat	88502	5
9	Drahtstange Thread rods	151823	6
10	Lager für Schneckenachse Bearing for worm gear axle	89749	6
11	Schneckendeckel Worm gear cover	94707	4
12	Zylinderblock Cylinder block	151782	12
13	Getriebedeckel Gear cover	151807	12
14	TS-Boden+Bremsbackenrahmen Part set floor + brake shoes frame	151779	13
15	TS - Kuppelstangen Part set coupling rod	151780	18
16	TS-Steuerung Part set reversing gear	151783	12
17	Drahtstift Tack	110641	4
18	Steuerungsnielen kurz+lang Steering ass. rivets short+long	113252	8
19	Steuerung kpl. Reversing gear complete	151781	36
20	Schneckensatz mit Kardankugel Set of worm gear incl. cardan ball	108246	13
21	Treibradsatz 1m. Achslager kurz Driving wheelset 1 w. short axle bearing	151801	14
22	Treibradsatz 2 m. Achslager kurz Driving wheelset 2 w. short axle bearing	151802	14
23	Treibradsatz 3 m. Zahnrad Driving wheelset 3 w. gear wheel	151803	15
24	TS-Fahrwerk Part set chassis	151784	12
25	Bremsgestänge Brake linkage	151774	9
26	Vorlaufradsatz Carrying wheelset (front)	151808	9
27	Nachlauf radsatz Carrying wheelset (rear)	151809	9
28	Schnecke Worm gear	86702	6
29	GF-Schraube M2x6 mm Self-tapping screw M2x6 mm	114828	3
30	GF-Schraube M2x4 mm Self-tapping screw M2x4 mm	114877	3
31	GF-Schraube M2x8 mm Self-tapping screw M2x8 mm	114923	3
32	GF-Schraube M2x25 mm Self-tapping screw M2x25 mm	115533	3
33	Grundrahmen Basic frame	151804	16
34	GF-Ansatzschraube M2x2,8x3,5 Self-Screw M2x2.8x3.5	85771	4
35	Puffer rund gewoelbt Buffer round curved	88503	5
36	Kardankugel Cardan ball	95797	3
AC - Wechselstrom			
37	GF-Schraube M1,6x12 mm Self-tapping screw M1.6x12 mm	115138	3
38	Schleifer 56mm Center pick-up 56mm	86033	14
39	Tenderradsatz o.HR o.ZR Wheelset without gear without traction tyre	142710	10
40	Treibradsatz 1m. Achslager kurz AC Driving wheelset 1 w. short axle bearing AC	151826	14
41	Treibradsatz 2 m. Achslager kurz AC Driving wheelset 2 w. short axle bearing AC	151827	14
42	Treibradsatz 3 m. Zahnrad AC Driving wheelset 3 w. gear wheel AC	151828	15
43	Tenderradsatz m.2hr m. Z Wheelset with 2 traction tyre with gear	134554	12
44	Vorlauf radsatz AC Carrying wheelset (front) AC	151829	9
45	Nachlauf radsatz AC Carrying wheelset (rear) AC	151830	9



Pos. Nr. Pos.no.	Beschreibung Description	Art.-Nr. Art.no.	Preisgruppe Price bracket
710006	DR 18.201	=	
711006		=	🔊
712006		~	🔊
1	Motor Motor	85128	28
2	Tenderplatine Tender PCB	151799	12
3	Standardkupplung Standard coupling	89246	6
4	Brückenstecker 16 Plux Connector 16 Plux	130528	18
5	Kardanwelle Cardan shaft	106216	5
6	TS-Fenster, lichtleiter,linse Part set window, light conductor,lens	151788	13
7	TS-Wasserklappen Part set water flaps	151789	12
8	Motorspange Motor clip	108264	5
9	Tendergrundrahmen Tender basic frame	151713	20
10	Tendergriffstange Tender handrail	108591	4
11	Tendergehäuse Tender body	151786	26
12	Tenderoberteil kohle Tender upper section	151800	17
13	Laternenhalter Tendergehäuse Lamp support tender body	151787	3
14	Tenderdrahtstange Tender thread rod	151825	12
15	Tendergrundrahmen Tender basic frame	151792	16
16	Bürstenfeder Brush spring	114197	3
17	Schnecke Z=2 D=7,4 Worm gear	86702	6
18	Kardanschale Cardan	85838	4
19	Anlaufscheibe Thrust washer	147983	3
20	Kohlebürste Carbon brush	89743	6
21	Kohlebürste Carbon brush	89743	6
22	Puffer flach Buffer flat	88502	5
23	Puffer rund gewoelbt Buffer round curved	88503	5
24	TS-Tender Part set Tender	143588	12
25	Schnecke Worm gear	86702	6
26	Platine tender PLUX-22 Tender PCB	151797	21
Sound			
27	Sounddecoder Sound-decoder	148519	39



Pos. Nr. Pos.no.	Beschreibung Description	Art.-Nr. Art.no.	Preisgruppe Price bracket
710006	DR 18.201	=	
711006		=	🔊
712006		~	🔊
1	Hafringsatz 10Stk. 10,3-12,8 mm Set w.traction tyres 10pcs.10,3-12,8mm	40069	---
2	Zugfeder Draw spring	86208	3
3	Kegeldruckfeder Conical pressure spring	86234	3
4	Schneckenzahnrad Z=17/19 Worm gear wheel Z=17/19	86413	5
5	Zahnrad Z=21 G/M=0,4 Gear wheel Z=21 G/M=0,4	86414	3
6	Zahnrad Z=24 rot M=0.4 20 Grad Gear wheel Z=24 rot M=0.4 20 Grad	86516	3
7	Radsatz o.Haftring o.Zahnrad Wheelset w/o trac.tyre and gear wheel	127577	9
8	TS - Kessel und Tender Part set boiler and tender	151795	1
9	Getriebebesatz 2-teilig Tender Gear set 2-parts for Tender	151794	11
10	Getriebeboden lackiert Gear bottom painted	151796	9
11	Radsatz mit Zahnrad und Haftring Wheelset w.gear wheel and trac. tyre	127687	12
12	Lokführer seitlich Lateral loco driver	89724	6
13	TS-Bremsschläuche und Zughaken Part set brake tubes & coupling hooks	139832	7
14	GF-Schraube M2x10 mm Self-tapping screw M2x10 mm	114854	3
15	Tenderblende +Bremsbackensatz Tender blinds and break shoes set	151793	5
16	Tafelsatz lackiert Set of painted panels	151824	12
17	Nummertafel Part set of number plates	151791	8
18	Heizer Fireman	89725	6
19	Kurzkupplung-Vorentkupplung Short coupling- pre-uncoupling	115550	6
20	TS-Kessel Part set boiler	143576	9
21	TS-Lok-Tender-Kupplung Coupling between loco and tender	151778	6
22	Nummertafelsatz Loco number set	120690	12
AC - Wechselstrom			
23	Hafringsatz 10Stk. 10,3-12,4 mm Set w.traction tyres 10pcs.10,3-12,4mm	40074	---
24	Radsatz o.Haftring o.Zahnrad AC Wheelset w/o trac.tyre and gear wheel	108304	10
25	Radsatz mit Zahnrad und Haftring AC Wheelset w.gear wheel and trac. tyre	108305	12